

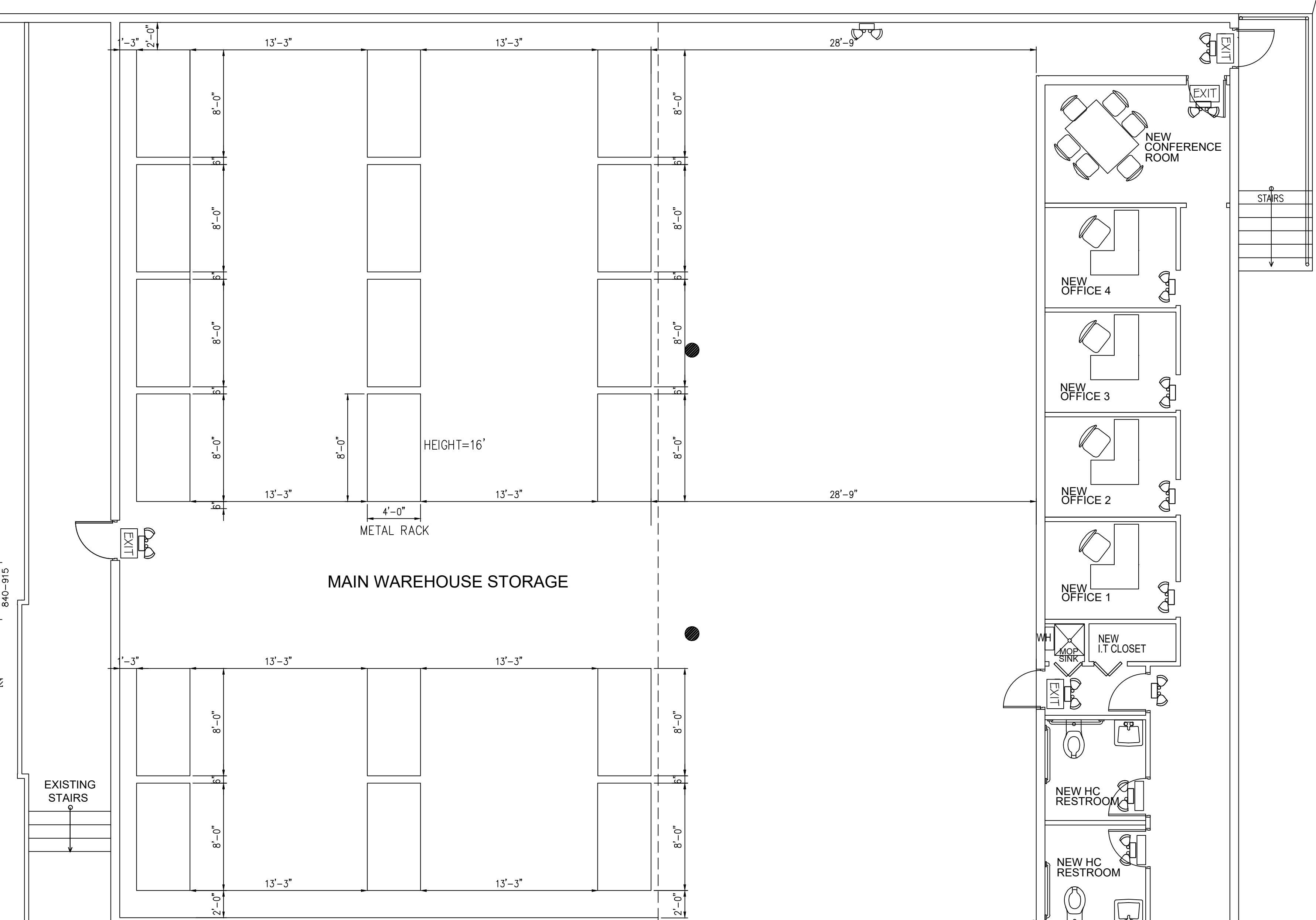
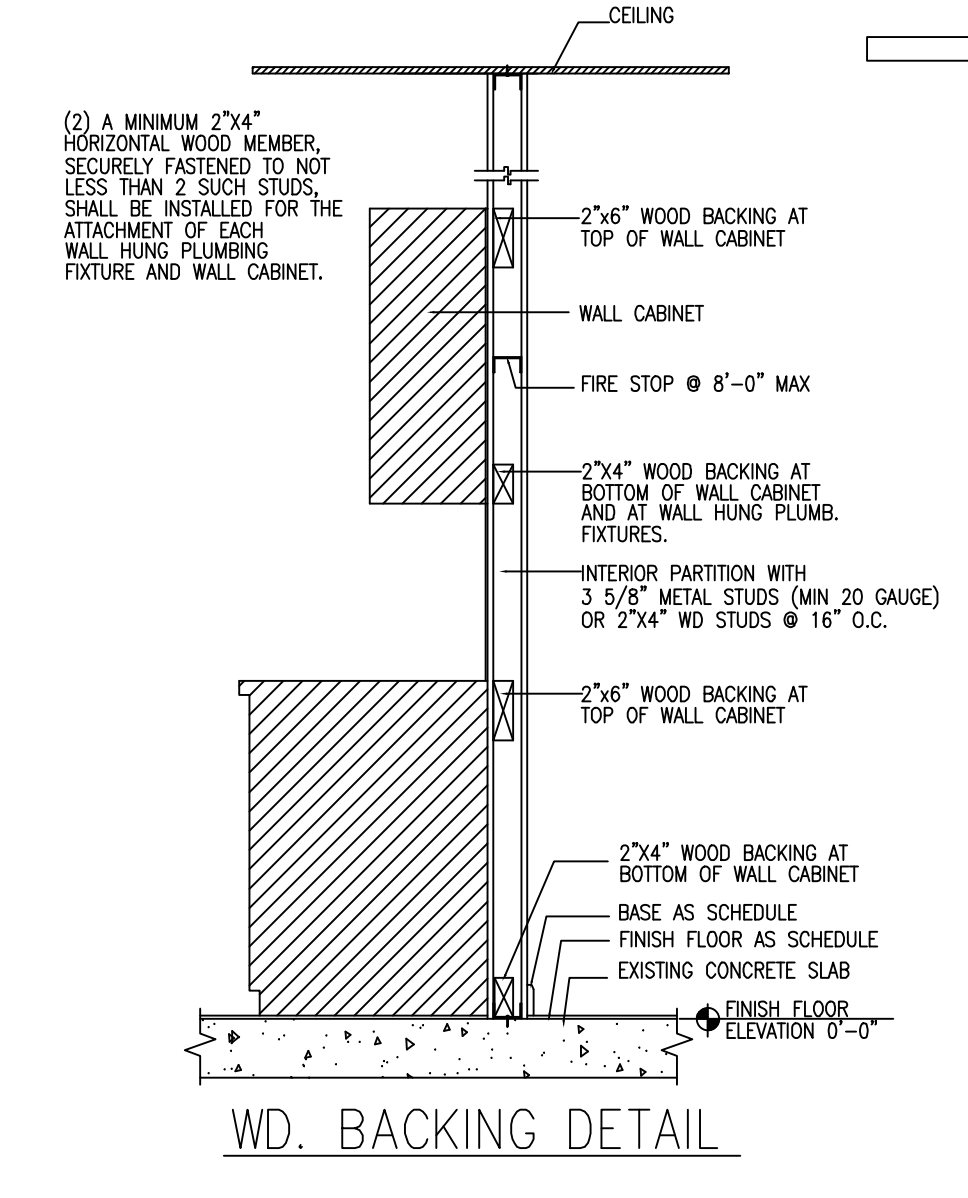
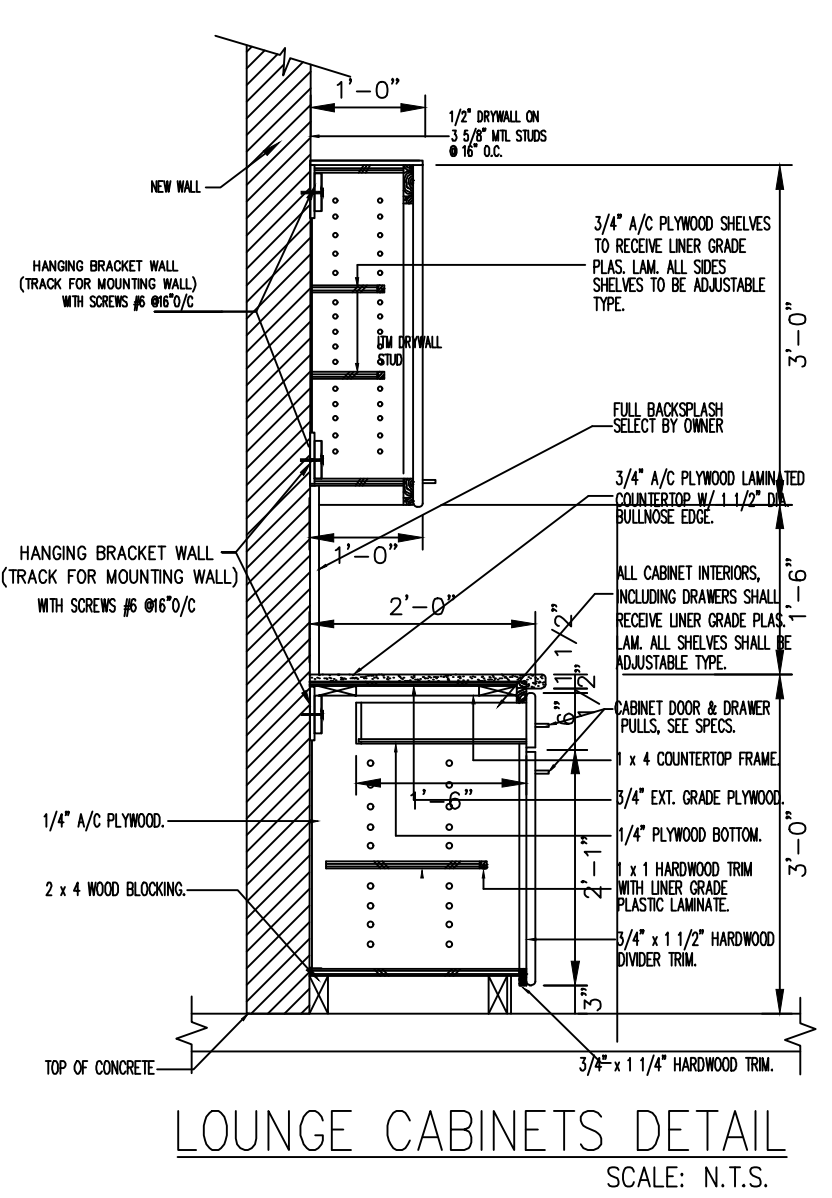
| REVISIONS | |
|-----------|--|
| No. | |
| | |
| | |
| | |
| | |
| | |

THESE DRAWING & SPECIFICATIONS ARE INSTRUMENTS OF SERVICE AND SHALL REMAIN THE PROPERTY OF ROSARIO MONTERO WHETHER THE PROJECT FOR WHICH THEY WERE PREPARED IS EXECUTED OR NOT, THEY ARE NOT TO BE USED IN ANY MANNER ON OTHER PROJECTS OR EXTENSIONS TO THIS PROJECT EXCEPT BY AGREEMENT IN WRITING AND WITH THE APPROPRIATE COMPENSATION TO ROSARIO MONTERO & ASSOCIATES

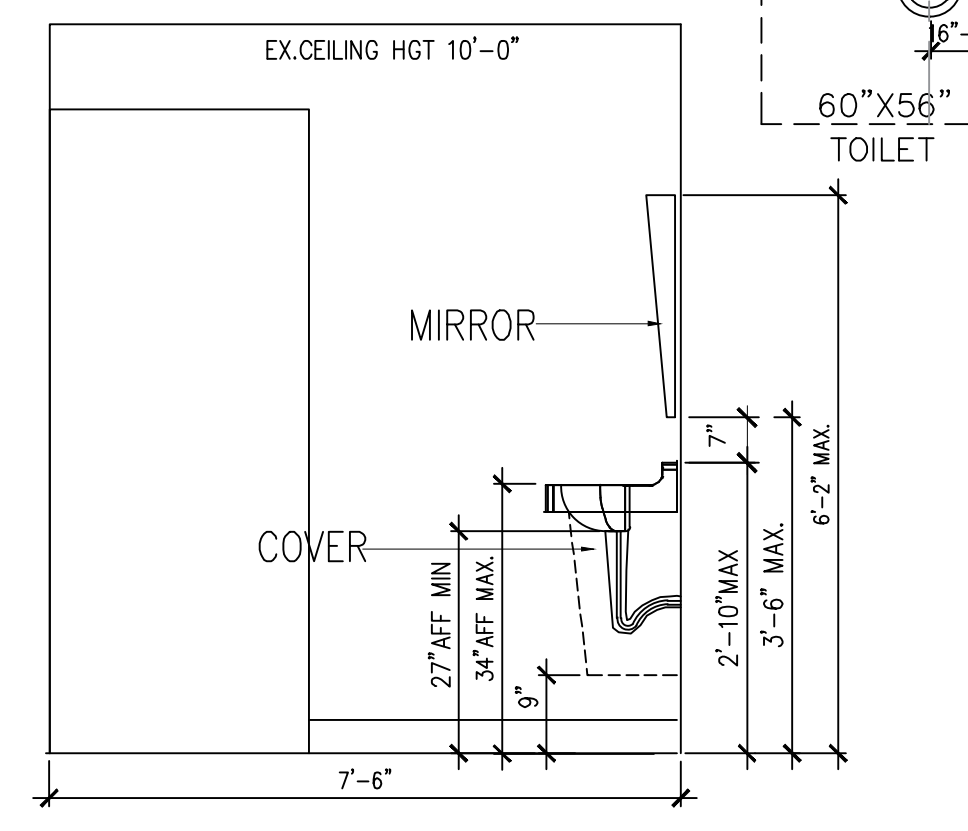
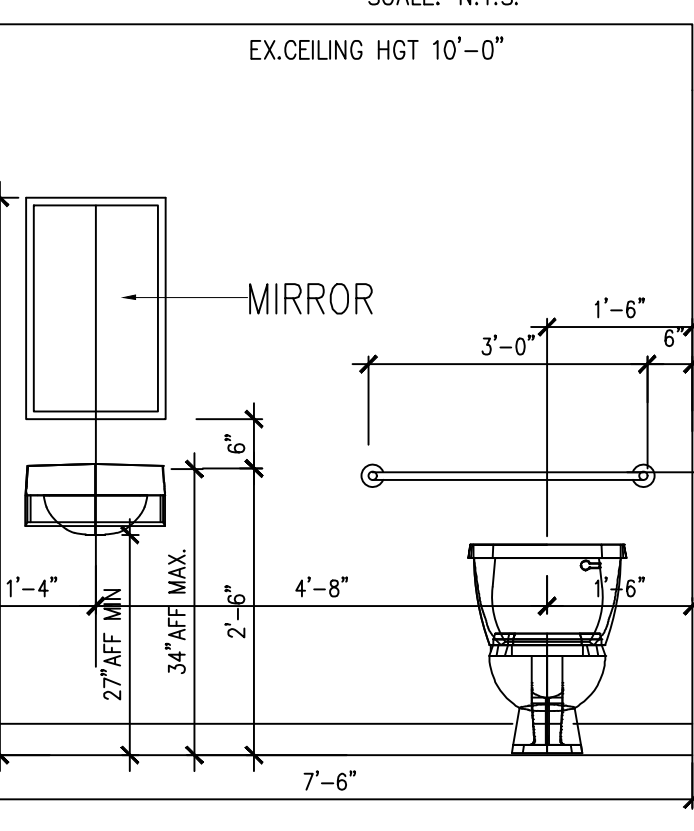
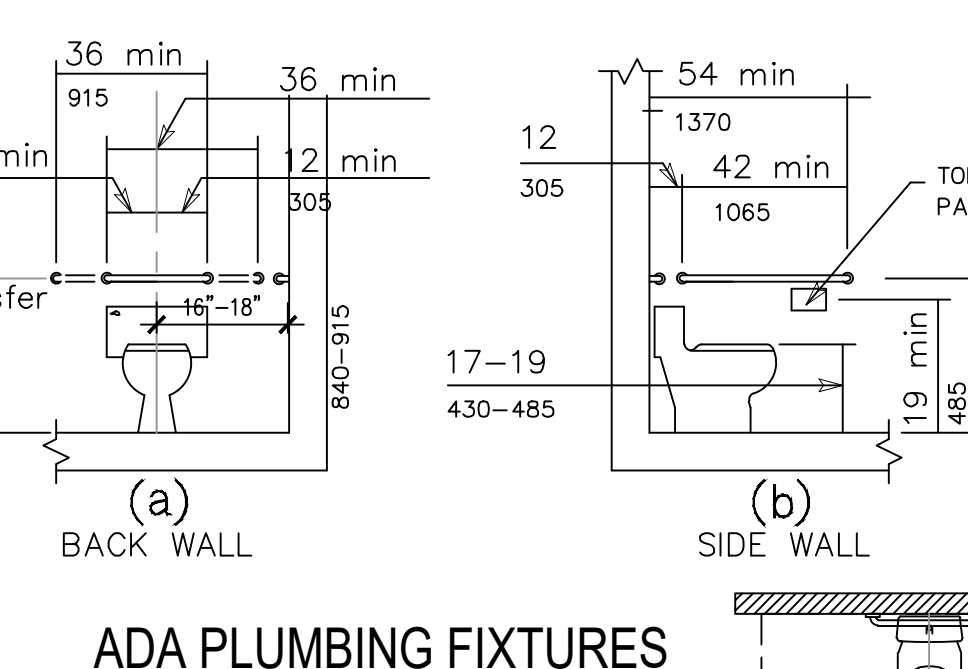
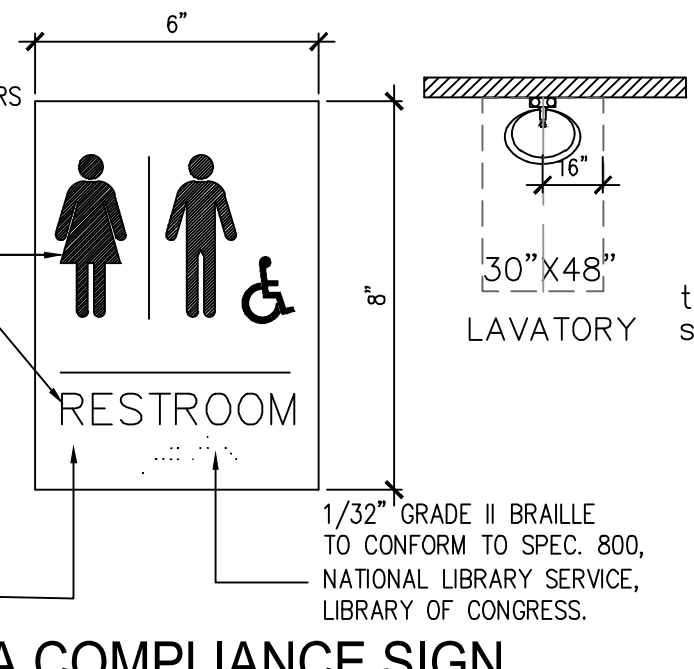
Project information:
INTERIOR RENOVATIONS FOR EXISTING WAREHOUSE
 OWNER INFORMATION:
VALPART ENTERPRISES LLC
 PROJECT ADDRESS:
 10200 NW 25TH ST UNIT 113
 DORAL, FL 33172
 This item has been digitally signed and sealed by ROSARIO MONTERO, PE, on 05/05/2024. Printed copies of this document are not considered signed and the signature must be verified on any electronic copies

ROSARIO MONTERO
 PROFESSIONAL ENGINEER, P.E.
 FL REGISTRATION No. 78464
 9581 FONTAINEBLUE BVLD
 MIAMI, FLORIDA 33172
 PHONE: (786) 294-8305

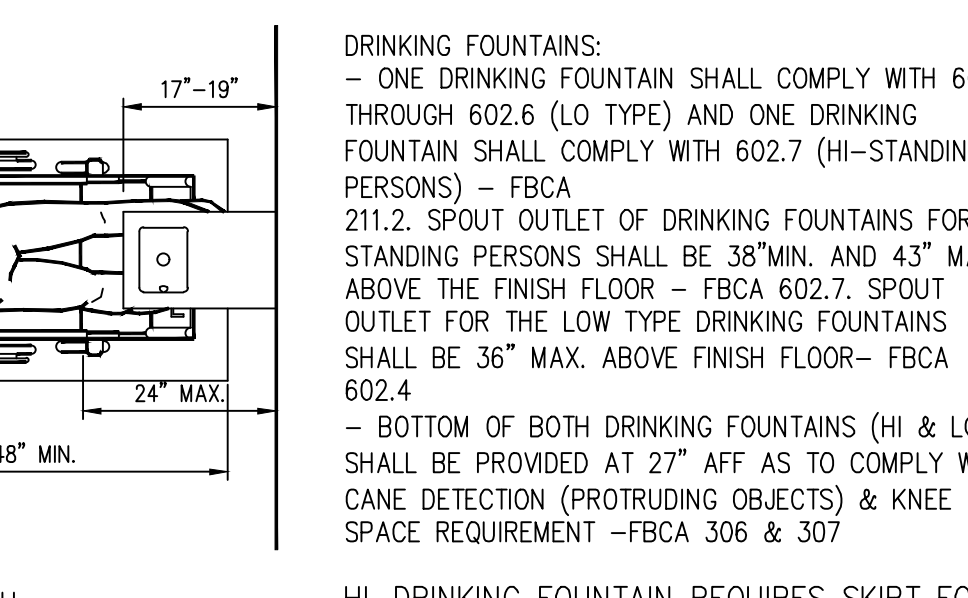
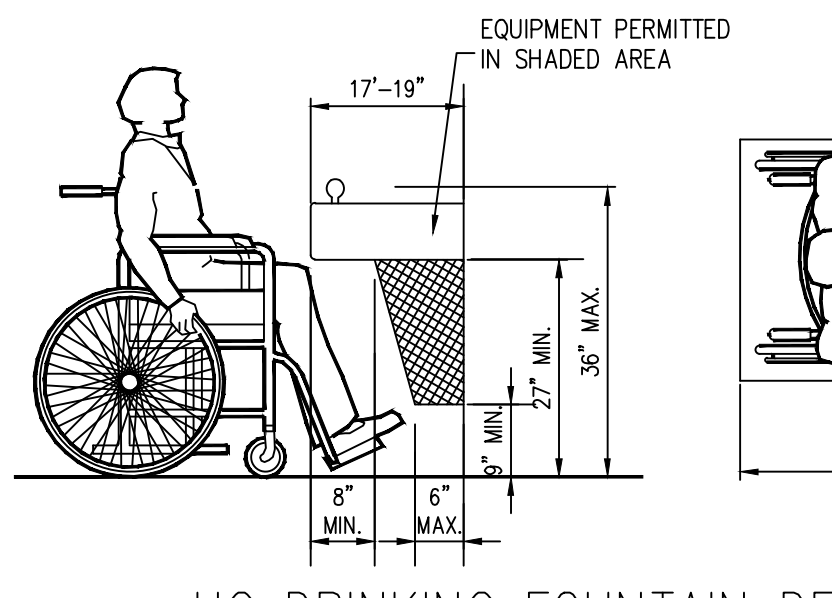
DATE: 07.22.2024
 DRAWN BY: R.G.
 CHECKED BY: R.M.
 SCALE: AS SHOW



SIGNAGE SHALL BE LOCATED ON WALL ON LATCH SIDE OF DOORS WITH TACTILE CHARACTERS FROM 48\"/>



BATH FINISH NOTE:
 -FLOOR & WALL FINISH PROVIDE SMOOTH, CORROSION RESISTANT AND NON ABSORBENT WATER RESISTANT MATERIALS (SUCH AS DUROCK OR BETTER) TO A HEIGHT OF NOT LESS THAN 72 INCHES ABOVE THE COMPARTMENT FLOOR AT THE DRAIN.
 -INSTALL CERAMIC TILE UP TO 72\"/>



HC DRINKING FOUNTAIN DETAIL
 SCALE: N.T.S.

HI-DRINKING FOUNTAIN REQUIRES SKIRT FOR PROTRUDING PROTECTION AS PER FBC-A-307

FURNITURE/RACK DISTRIBUTION PLAN
 SCALE: 3/16\"/>

ADA-RESTROOM ACCESSORIES SCHEDULE
 PROVIDE WOOD BLOCKING FOR ALL ACCESSORIES AS REQUIRED. FOLLOW MANUFACTURERS INSTALLATION INSTRUCTIONS

| DESCRIPTION | REMARKS |
|-----------------------|-------------------------------------|
| MIRROR | MOUNTED WITH BOTT. EDGE AT 38\"/> |
| TOILET PAPER HOLDER | INSTALLED AT 36\"/> |
| GRAB BAR 42\"/> | INSTALLED AT 33\"/> |
| GRAB BAR 36\"/> | INSTALLED AT 36\"/> |
| PAPER TOWEL DISPENSER | OPENING OF PAPER TOWELS AT 48\"/> |
| SOAP DISPENSER | OPENING OF SOAP DISPENSER AT 48\"/> |

