

REVISIONS	
No.	

THESE DRAWING & SPECIFICATIONS ARE INSTRUMENTS OF SERVICE AND SHALL REMAIN THE PROPERTY OF ROSARIO MONTERO WHETHER THE PROJECT FOR WHICH THEY WERE PREPARED IS EXECUTED OR NOT. THEY ARE NOT TO BE USED IN ANY MANNER ON OTHER PROJECTS OR EXTENSIONS TO THIS PROJECT EXCEPT BY AGREEMENT IN WRITING AND WITH THE APPROPRIATE COMPENSATION TO ROSARIO MONTERO & ASSOCIATES

Project Information:
INTERIOR RENOVATIONS FOR EXISTING WAREHOUSE

OWNER INFORMATION:
 VALPART ENTERPRISES LLC

PROJECT ADDRESS:
 10200 NW 25TH ST UNIT 113
 DORAL, FL 33172

This item has been digitally signed and sealed by ROSARIO MONTERO, PE, on 05/05/2024. Printed copies of this document are not considered signed and the signature must be verified on any electronic copies

ROSARIO MONTERO
 PROFESSIONAL ENGINEER, P.E.

FL REGISTRATION No. 78464
 9581 FONTAINEBLUE BVD
 MIAMI, FLORIDA 33172
 PHONE: (786) 294-8305

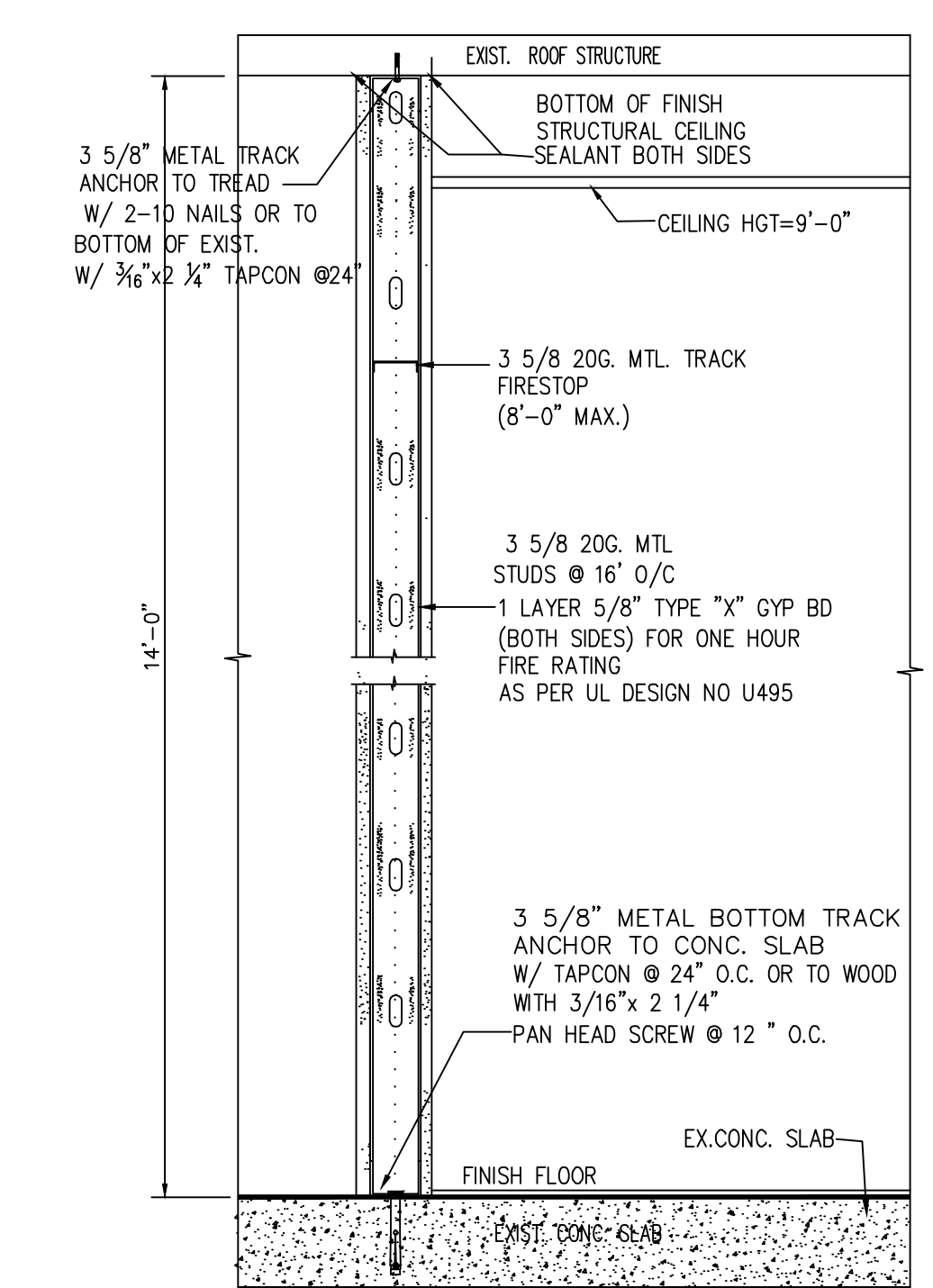
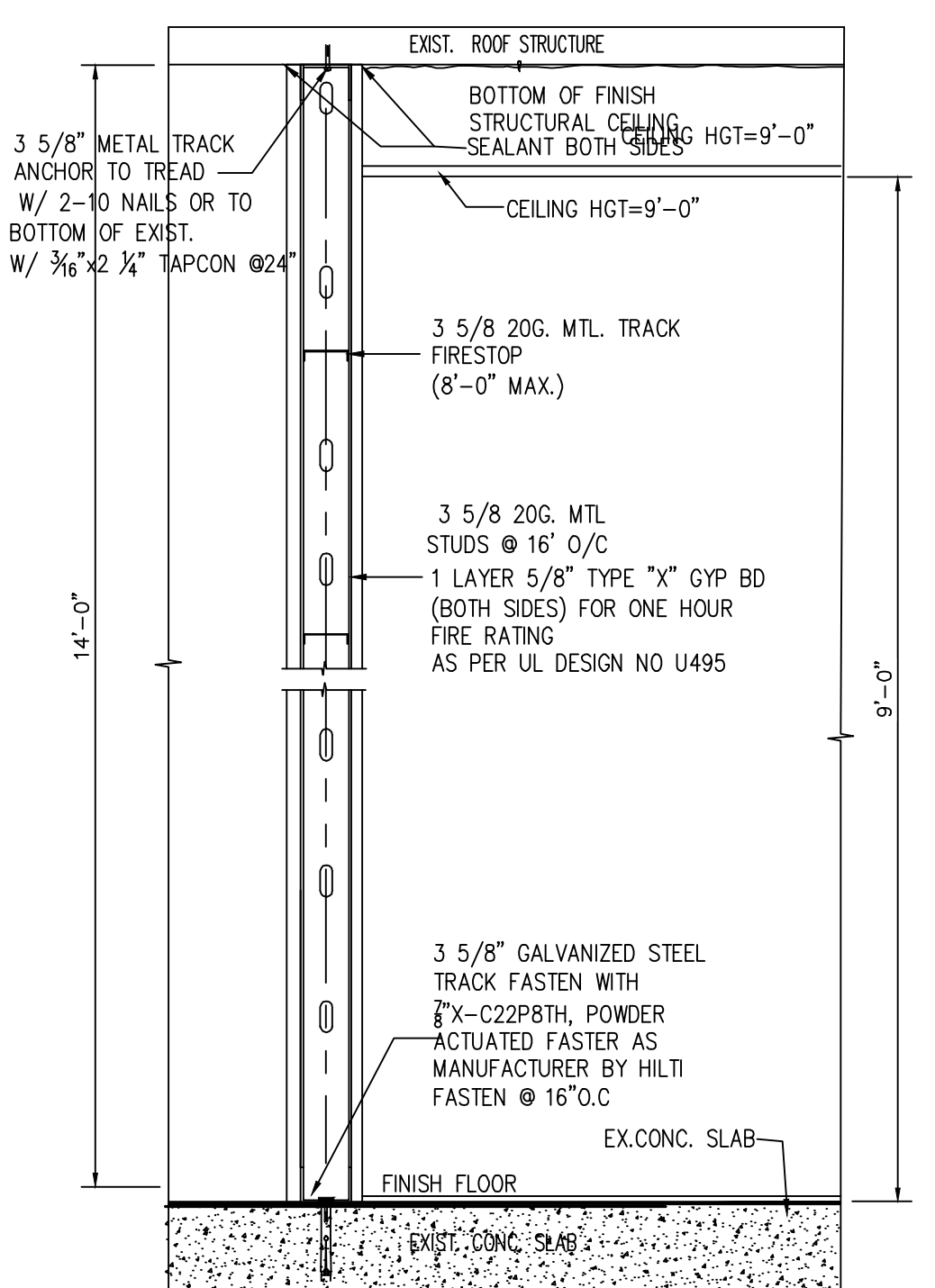
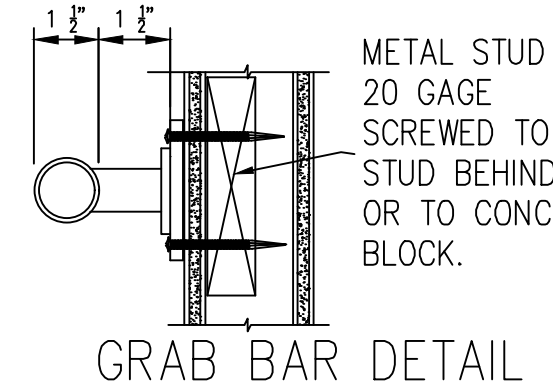
DATE: 07.22.2024
 DRAWN BY: R.G.
 CHECKED BY: R.M.
 SCALE: AS SHOWN

A-3

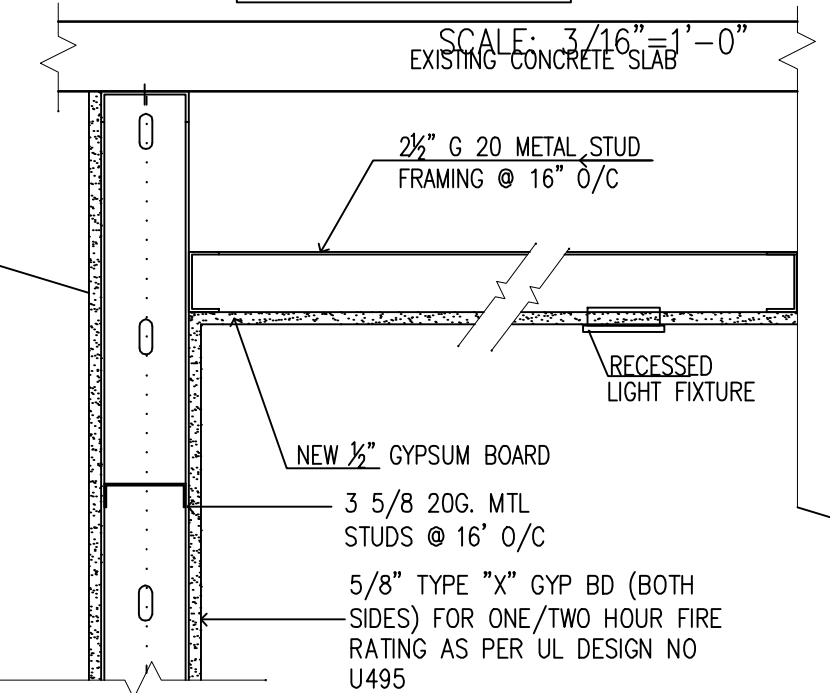
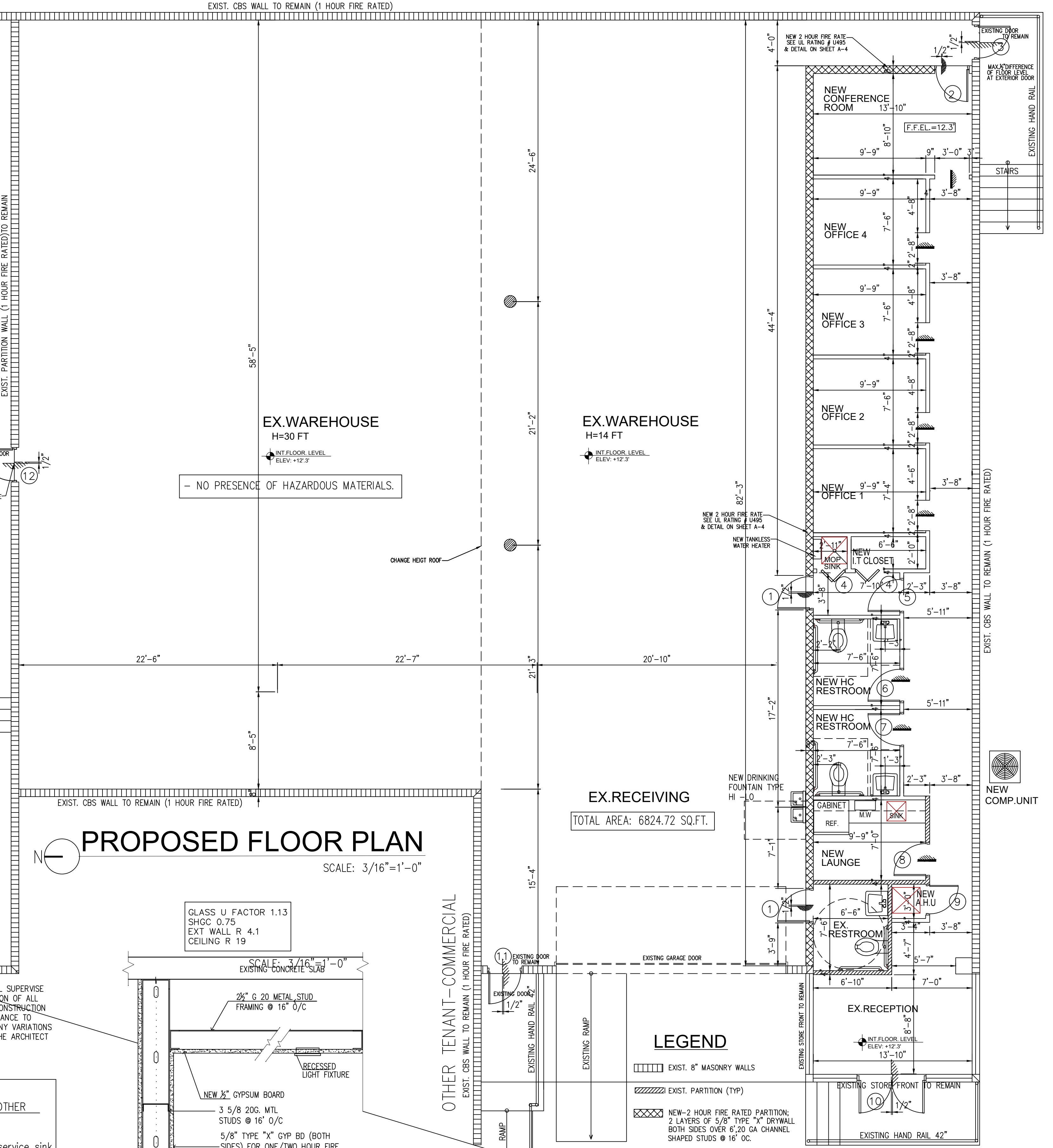
SHEET 3 OF 11

DOOR SCHEDULE									
MARK	WIDTH	HEIGHT	THICKNESS	MATERIAL	TYPE	FRAME	REMARKS	SPECIFICATIONS	
1	3'-0"	6'-8"	1 3/4"	WOOD	OUT SWINGING	WOOD	NEW	RIGHT HAND- SINGLE ACTION RELEASE-45 MIN-FIRE RATING	
2	3'-0"	6'-8"	1 3/4"	WOOD	IN SWINGING	WOOD	NEW	RIGHT HAND/PRIVACY LEV. HANDLE	
3	3'-0"	6'-8"	1 3/4"	METAL-GLASS	OUT SWINGING	METAL	EXIST/REMAIN	ACCESSIBLE-OPERABLE HANDLE OR PANIC HARDWARE	
4	2'-6"	6'-8"	1 3/4"	WOOD	LOUVER-INSWING	WOOD	NEW	PRIVACY LEVER HANDLE	
5	3'-0"	6'-8"	1 3/4"	WOOD	OUT SWINGING	WOOD	NEW	LEFT HAND/LEVEL HANDLE	
6	3'-0"	9'-6"	1 3/4"	WOOD	IN SWINGING	WOOD	NEW	LEFT HAND- SINGLE ACTION	
7	3'-0"	9'-6"	1 3/4"	WOOD	IN SWINGING	WOOD	NEW	RIGHT HAND- SINGLE ACTION	
8	6'-0"	9'-6"	1 3/4"	WOOD	IN SWINGING	WOOD	NEW	LEFT HAND- SINGLE ACTION	
9	3'-0"	9'-6"	1 3/4"	METAL	LOUVER-FLUSH	METAL	NEW	PRIVACY LEVER HANDLE	
10	6'-0"	9'-6"	1 3/4"	METAL-GLASS	OUT SWINGING	METAL	EXIST/REMAIN	ACCESSIBLE-OPERABLE HANDLE OR PANIC HARDWARE	
11	3'-0"	9'-6"	1 3/4"	METAL-GLASS	OUT SWINGING	METAL	EXIST/REMAIN	ACCESSIBLE-OPERABLE HANDLE OR PANIC HARDWARE	
12	3'-0"	9'-6"	1 3/4"	METAL-GLASS	OUT SWINGING	METAL	EXIST/REMAIN	ACCESSIBLE-OPERABLE HANDLE OR PANIC HARDWARE	
13	3'-0"	9'-6"	1 3/4"	METAL-GLASS	OUT SWINGING	METAL	EXIST/REMAIN	ACCESSIBLE-OPERABLE HANDLE OR PANIC HARDWARE	

FINISH SCHEDULE				
AREA	FLOOR	CEILING	WALL	BASE B.
ALL OFFICE	LAMINATED WATER PROOF	ACOUST. CEIL.TILE	PAINTED	WOOD BASE
RESTROOM	TILE NON SLIP	ACOUST. CEIL. TILE	PAINTED	WOOD BASE
LOUNGE	LAMINATED WATER PROOF	ACOUST. CEIL.TILE	PAINTED	WOOD BASE
OTHER AREAS	CONCRETE SLAB	NO CEILING	PAINTED	N/A



NOTE: CONTRACTOR SHALL SUPERVISE AND INSPECT CONSTRUCTION OF ALL WALLS TO VERIFY THAT CONSTRUCTION IS PERFORMED IN ACCORDANCE TO SPECIFICATIONS ABOVE. ANY VARIATIONS SHALL BE BROUGHT TO THE ARCHITECT ATTENTION



LEGEND

- EXIST. 8" MASONRY WALLS
- EXIST. PARTITION (TYP)
- NEW-2 HOUR FIRE RATED PARTITION: 2 LAYERS OF 5/8" TYPE "X" DRYWALL BOTH SIDES OVER 6" 20 GA CHANNEL SHAPED STUDS @ 16" O.C.
- NEW-1 HOUR FIRE RATED PARTITION: CONSISTING OF DRYWALL PARTITION CONSISTING OF 3 5/8" METAL STUDS 20 GA. @ 24" O.C. W 1/2 DRYWALL BOTH SIDES

E 403.1 MINIMUM NUMBER OF REQUIRED PLUMBING FIXTURES (See Sections 403.1)

NO.	CLASSIFICATION	OCCUPANCY	DESCRIPTION	WATER CLOSETS (URINALS)		LAVATORIES		BATHTUBS/SHOWERS	DRINKING FOUNTAIN	OTHER
				MALE	FEMALE	MALE	FEMALE			
STORAGE	S-2		STORAGE for the storage of goods, warehouses, storehouse and freight depots. Low and Moderate Hazard.	1 PER 100		1 PER 100		--	1 per 1000	1 service sink
				3 PROVIDED (UNISEX)		3 PROVIDED			1 PROVIDED	1 PROVIDED